

## Automatic Barrier Power Fusion XD



### Top Features

1. High torque bi-direction 24VDC BLDC motor for heavy and continuous traffic.
2. Boom arm is made of extruded aluminium alloy in elliptical shape with provision for rubber gasket at bottom and rubber red plastic cover on top to accommodate LED strip.
3. Elliptical cross section of boom arm is having better resistance to wind speed wall thickness of boom arm 1.6 mm.
4. Single length of boom up to 8 mtr. for more length with invisible joint kit.
5. In-built encoder offers smooth & low noise operation Pre-configurable smooth movement & safety feature.
6. Reverse on contact obstacle detection safety standard.
7. Barrier housing made of 2 mm thick galvanized further reinforced load carrying area of motor mounting.
8. Programmable opening and closing speed.
9. Programmable deceleration during opening and closing for smooth landing with jerk.
10. Programmable motor force as per boom arm length and load.
11. Version available for left and right hand.
12. Modern design with removable top cover.

### Optional Accessories

1. Pendulum support
2. Photocell
3. Loop detector
4. Fixed support
5. Skirt kit



Neptune Power Fusion XD is a high speed automatic electro - mechanical barrier with 100% duty cycle, it is specially designed with heavy motor and mechanism to take load of boom arm up to 8 mtr., including accessories like skirt kit and pendulum support.

The powerful 24VDC 200 watt brushless DC drive unit performs flawlessly even in the most demanding operating and weather conditions. Power Fusion XD automatic barrier is a perfect product for heavy traffic application.

### Application Areas



Government  
Institutions



Commercial  
Areas



Financial  
Institutions



Airport  
Premises



Business Office  
Centers



Hotels



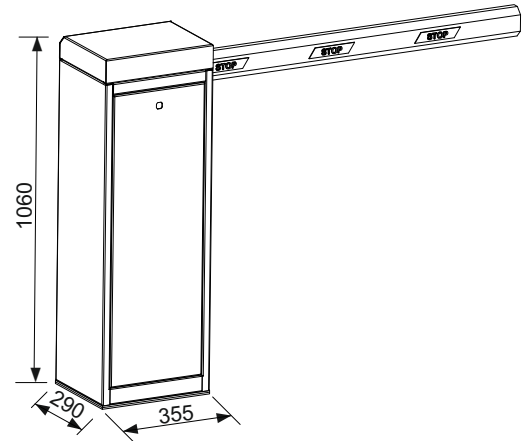
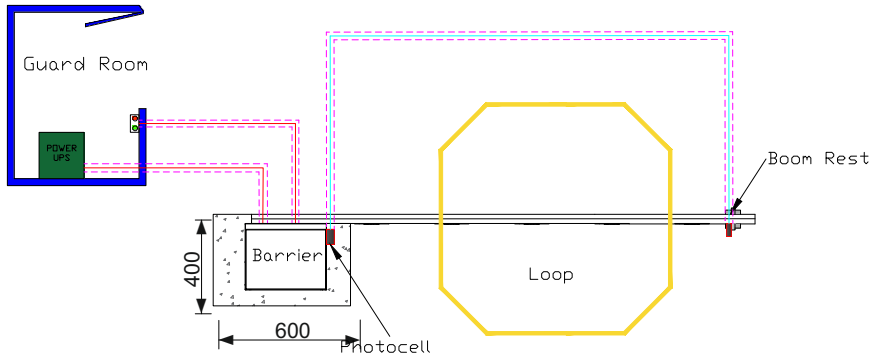
Sports  
Complexes



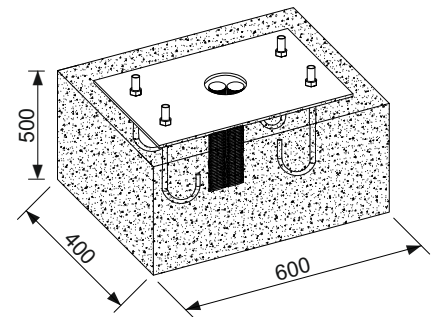
Recreational  
Areas

# Automatic Barrier Power Fusion XD

## Installation Detail



LEGEND	
	25 MM PVC Conduit
	Photo cell
	Boom Rest
	Push Button
	3 Core 1.5 sq mm
	2 Core 1 sq mm
	1 Core 1.5 sq mm




## Technical Characteristics

Make	Neptune
Model	Power Fusion XD
Power supply	220 - 240V AC ~50/60 Hz
Electric motor	24V DC brushless
Max. power	200 watt
Max. torque	400 - 600 Nm
Opening/closing speed	2.5 to 5 sec.
Surface treatment	Pre hot dip galvanized and dust painted
Encoder	Integrated with motor
Beam type	Elliptical with rubber gasket and plastic
Protection class	IP 65
Use frequency	100 %
Ambient temperature	-30~60°C
Relative humidity	95%
Operation Life	10 million cycle
Remote control distance	~30 mtr.
Height of boom	900 mm from centre
Output for LED	12V 5Amp.
Max. boom length	8 mtr.
Certification	CE



**CORPORATE OFFICE:**  
**NEPTUNE AUTOMATIC PVT. LTD.**  
 Neptune House, A-11, Sector-59,  
 Noida, Uttar Pradesh-201301, India  
 Tel: +91 120 420 5900, 429 7900  
 Web: www.neptuneautomatic.com

 Sales:  
 +91 9555 500 300  
 connect@neptuneautomatic.com

LET'S CONNECT ON SOCIAL MEDIA PRODUCT LAUNCH, NEW FEATURES, EVENTS



 Linked in



 Instagram



 Facebook



Technical Support:  
 +91 9311 123 300  
 customercare@neptuneautomatic.com