

# 620 TT

# FAAC

for beams of 3 m  
opening closing time 1.4 seconds



## ■ Use versatility

The "TT" version of the 620 offers the continuity solution to the traffic problem. It enables uninterrupted use frequency thanks to realtime detection of oil temperature. For 3 meters barriers speed is under 1.4 seconds.

## ■ Totally flexible

The FAAC 620 TT range is equipped with electronic deceleration at opening and closing. A version with articulated beam for low ceilings is available on request.

## ■ Long term reliability

Use of cutting-edge materials and treatments such as cathoporesis and niploy, plus tried-and-tested FAAC hydraulic technology, all combine to ensure long-life.

## ■ Leading-edge technology

SMT microprocessor electronic technology is supplied standard to ensure exceptional performance. By means of an optional card, the barrier can also control auxiliary services and an additional opposing beam. Barrier statuses can be signalled to traffic control devices.

## ■ Electronic intelligence

The electronic intelligence of the 620 range functions by means of three differentiated logics: automatic, semi-automatic and parking (P) - the latter was expressly designed for automatic parking systems.

■ New pocket

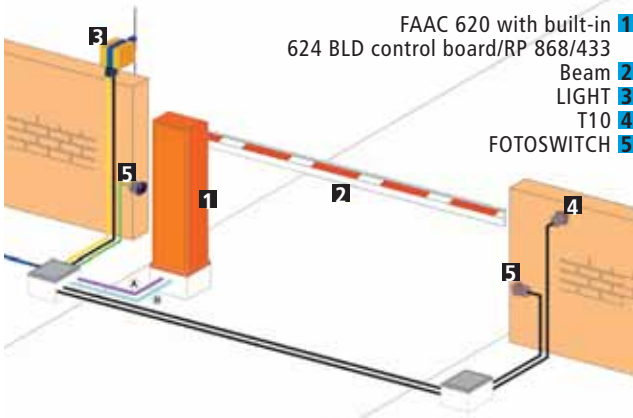
■ Self-supporting barrier body

■ 624 BLD Control unit

### SPECIFICATIONS

Automatic barrier for beams of 3 m • Use frequency 100% • Opening/closing time 1.4s • Actuating system consisting of hydraulic pump unit, plunger pistons, equaliser and transmission shaft • Balancing by compression spring • Internal stops adjustable for open or closed beam positions • Load bearing housing in steel protected by cathoporesis treatment and polyester powder paint RAL 2004 • Overall dimensions 200x380x1080 mm (LxWxH) • Protection class IP 44 • Release device accessible from the outside by triangular or customised key (optional) • Hydraulic pump unit with hydraulic locking on opening and closing • Electric motor power supply 230 Vac (+6% -10%) - 50(60) Hz • Electric motor power 220 W • Thermal protection at 120°C built into motor winding • Operating ambient temperature -20°C ÷ +55°C • Single-phase motor with two rotation directions (2.800 rpm) • Hydraulic gerotor pump (max low noise) • Pump flow rate 3.0 l/m • Die-cast distribution flange • Separate control of opening and closing force by by-pass valves • Tank in anodised aluminium • Mineral hydraulic oil with additives • Travel-limit deceleration • Adjustable deceleration angle by cams • Designed to accommodate round, round pivoting beams • Built-in electronic control board

## INSTALLATION LAYOUT



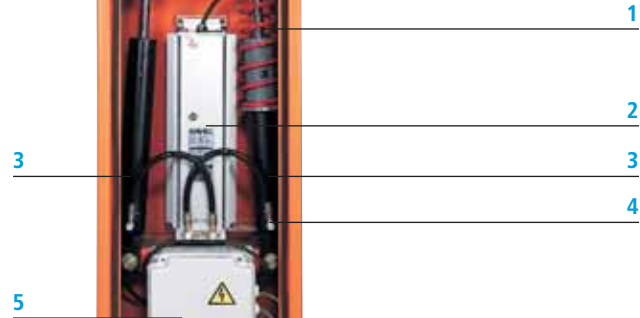
- 1 FAAC 620 with built-in 624 BLD control board/RP 868/433
- 2 Beam
- 3 LIGHT
- 4 T10
- 5 FOTOSWITCH

| Low voltage cabling  | Power cabling (230V)  |
|--|---|
| <b>A</b> { <ul style="list-style-type: none"> <li>3 cables 3x0,5</li> <li>1 cable 2x0,5</li> </ul> | <b>B</b> { <ul style="list-style-type: none"> <li>1 cable 2x1,5+T</li> <li>1 cable 2x1,5</li> </ul> |

N.B: Cable diameters in mm<sup>2</sup>



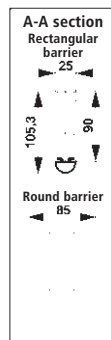
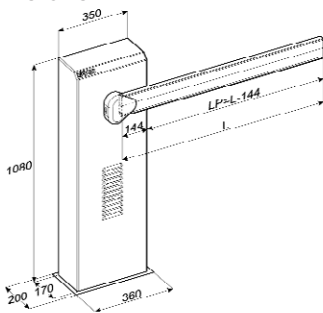
- 1 Balancing spring
- 2 Hydraulic pump unit
- 3 Cylinders with plunger pistons
- 4 Release device by triangular key
- 5 624 BLD control board



| Technical characteristics           | 620 TT LH/RH                                |
|-------------------------------------|---|
| Power supply                        | 230 Vac (+6% -10%) 50 (60) Hz               |
| Electric motor                      | single-phase, bi-directional                |
| Absorbed power                      | 220 W                                       |
| Absorbed current                    | 1A  |
| Motor rotation speed                | 2.800 rpm                                   |
| Pump flow rate                      | 3.0 l/min.                                  |
| Thermal protection on motor winding | 120°C                                       |
| Electronic deceleration             | Adjustable with cams                        |
| Operating ambient temperature       | -20°C ÷ +55°C                               |
| Weight                              | 73 kg                                       |
| Type of oil                         | FAAC HP oil                                 |
| Barrier body treatment              | Cataphoresis                                |
| Paint                               | RAL 2004 polyester                          |
| Protection class                    | IP 44                                       |
| Type of beam                        | Round: standard - pivoting<br>3 meters only |

| Technical characteristics of 624 BLD control unit |  |
|---|--|
| Power supply voltage                              | 230 Vac(+6%-10%)-50 Hz   |
| Absorbed power                                    | 7 W  |
| Motor maximum load                                | 300 W  |
| Power supply for accessories                      | 24 Vdc   |
| Accessories max. current                          | 500 mA   |
| Ambient temperature                               | -20°C ÷ +55°C  |
| Fuses   | F1=F 5A-250 V F2=T 0,8A-250V   |
| Function logics                                   | Automatic, Automatic 1, Semiautomatic, Parking, Parkingautomatic, Condo, Condoautomatic, Dead-man, Remote, Custom  |
| Work time   | Programmable (from 0 to 4 min.)  |
| Pause time  | Programmable (from 0 to 4 min.)  |
| Motor power                                       | Programmable on 50 levels  |
| Terminal board inputs                             | Loop1, Loop2, Open, Close, Closing safety devices, Stop, Emergency, Power supply 230 Vac + Earth   |
| Connector inputs                                  | Opening and closing limit-switch, Detector, Motor capacitor, Rod detachment sensor   |
| Terminal board outputs                            | Flashing light, Fan, Motor, Power supply 24 Vdc, Fail-safe, Status output, Indicator light 24 Vdc, BUS   |
| Rapid connector                                   | 5-pin Minidec board coupling, Decoder, Receiver RP/PR2   |
| Programming                                       | No. 3 keys (+, -, F) and display   |
| Programmable functions                            | Logics, Pause time, Power, Loop1 and 2, Thrust torque, Pre/flashing, Slow closure, Deceleration time, Work time, Indicator light output, Fail-safe output, Status output, BUS output, Assistance request |

## DIMENSIONS



Values in mm

# FAAC

FAAC S.p.A. via Benini, 1  
40069 Zola Predosa - Bologna (Italy)  
Tel. +39 051 61724 · Fax +39 051 758518  
www.faacgroup.com

