

# CYCLOPE ROAD BLOCKER

DESIGNED ACCORDING TO

M30 (K4) ANTI-RAM CLASS



RELIABLE, PRACTICAL AND COST-EFFECTIVE SOLUTION TO  
PROVIDE 100% SECURITY OF YOUR TERRITORY

Anti-ram Cyclope designated for providing pedestrian friendly vehicle access control to protected perimeter. Being developed according to M30 (K4) anti-ram class, this modification ensures anti terrorist defense of site. In contrast to bollards, our road blocker requires shallow mounting installation depth. This motorized platform has hydraulic drive and has been engineered to keep high intensity operation mode. Wide range of optional configurations enables it to be widely applicable security solution for variety of projects.

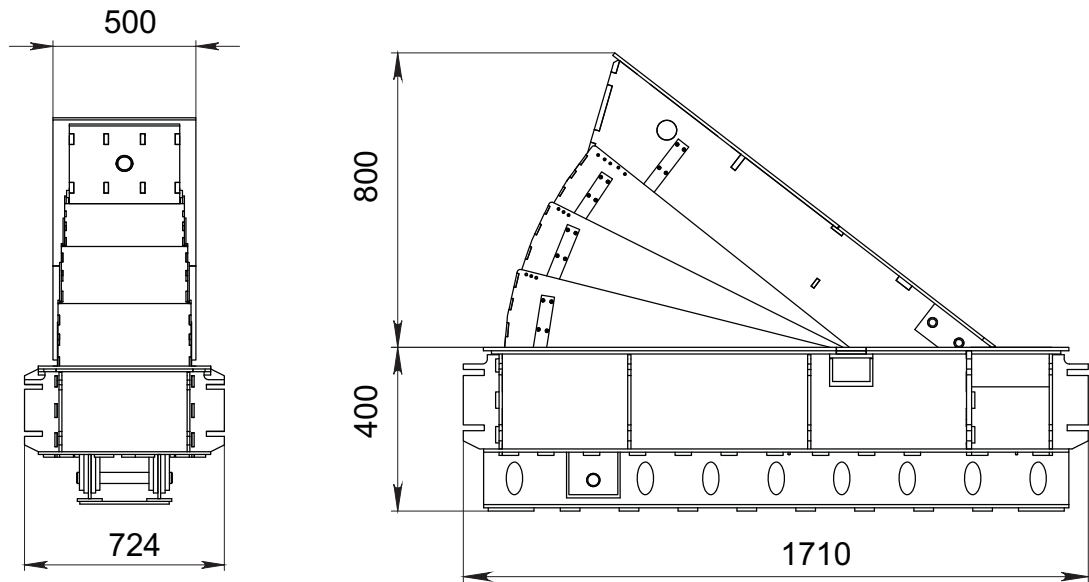
## Installation areas

- Governmental Institutions
- Military Bases
- Nuclear Power Plants
- Production sites (Industrial Plants)
- Commercial areas
- Financial institutions
- Airport Premises
- Business (Office) Center
- Hotels
- Sport Complexes
- Recreation areas
- Urban areas
- Education Institutions

**Neptune Automatic Pvt. Ltd.**

A-11, Sector-59, Noida - 201301, India  
Tel: 0120 420 5900, 429 7900 | E: enquiry@neptuneautomatic.com

[www.neptuneautomatic.com](http://www.neptuneautomatic.com)



#### TECHNICAL SPECS:

Model	AUIA-320-01
Installation type	Shallow mounted
Drive	Hydraulic (external/internal)
Blocking length, mm	500
Rising height, mm	800
Installation depth, mm	400
Rising speed, sec	~4
Lowering speed, sec	~3
Protection level	IP 67 for Road blocker IP 55 for control box
Weight, kg	710
Materials	- Structural steel (powder coated)
Impact resistance, kJ	656
Operating temperature*, °C	-10/50
Load per adle, t	15
Power supply	3 phase 380 V , 50/60 Hz
Power consumption, kW	
- internal hydraulic unit	0,8
- external hydraulic unit	1,6

\*for temperatures lower than -10 °c use the heating resistance (optionally)

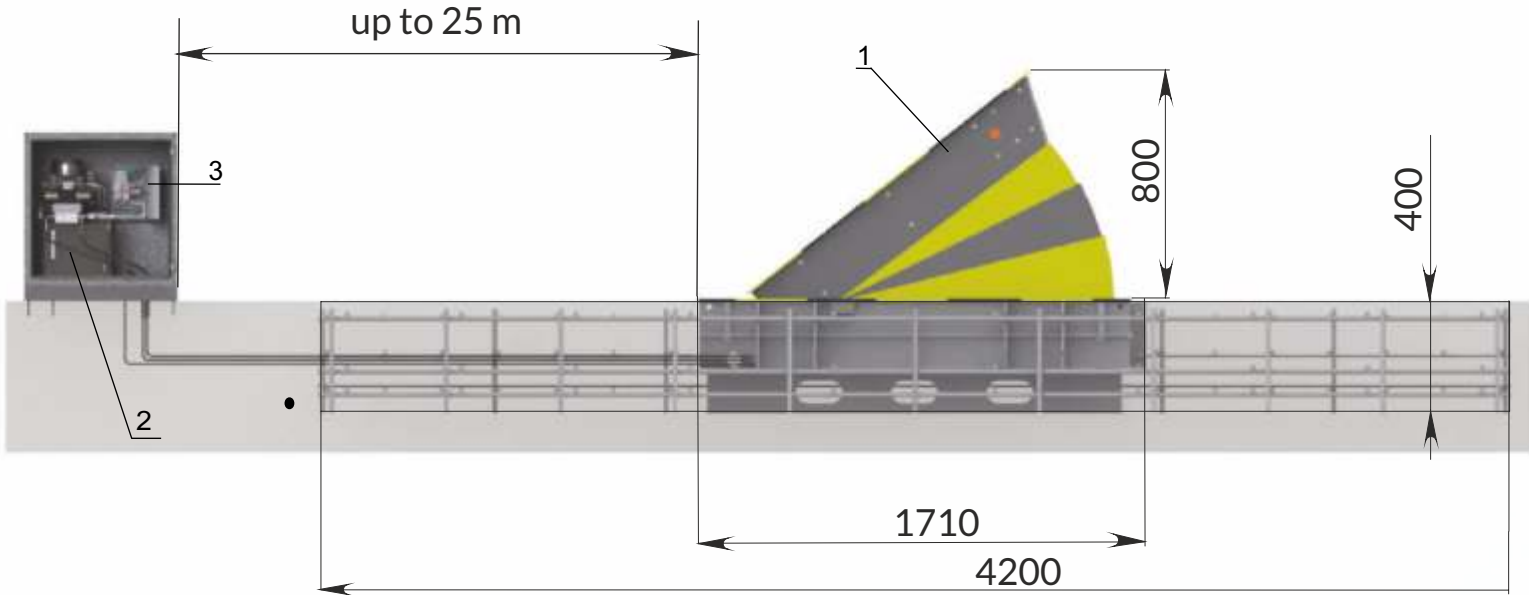
#### Neptune Automatic Pvt. Ltd.

A-11, Sector-59, Noida - 201301, India  
Tel: 0120 420 5900, 429 7900 | E: enquiry@neptuneautomatic.com

www.neptuneautomatic.com

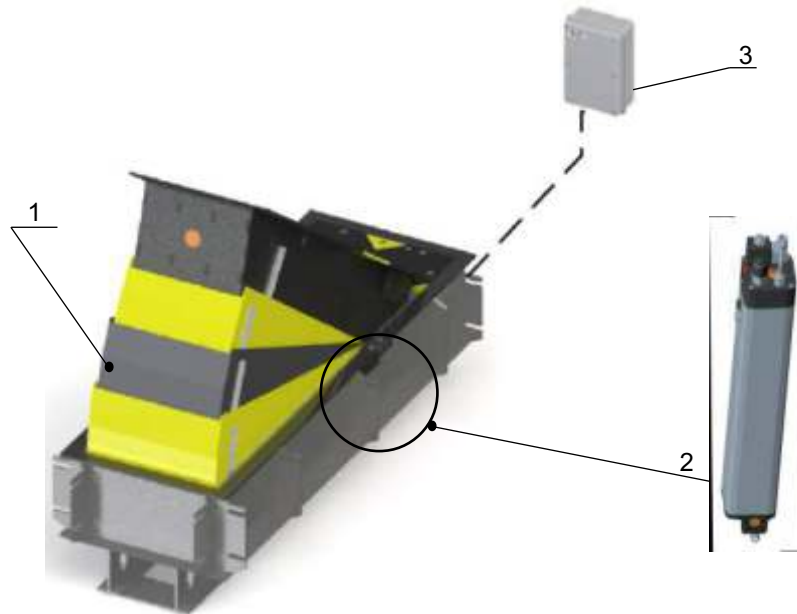
### Control box

### EXTERNAL HYDRAULIC UNIT



- 1. Road blocker assembly
- 2. Hydraulic unit
- 3. Box with electronic control unit

### INTERNAL HYDRAULIC UNIT



#### Advantages

- Shallow mounting installation type
- Reliability and durability
- Low operating & maintenance cost
- Service simplicity
- High intensity operation mode

#### Additional options

- Radio receiver with two keybos in kit
- Additional keyfob
- Traffic light with support post
- Heating device
- One-channel induction loop (controller) + 30 m of cable)
- Sound alarm

#### Standard

- LED indication
- Manual release when power is off

### Neptune Automatic Pvt. Ltd.

A-11, Sector-59, Noida - 201301, India  
 Tel: 0120 420 5900, 429 7900 | E: enquiry@neptuneautomatic.com

www.neptuneautomatic.com